

# LASVIT Technical Sheet

---

## DUNA COLLECTION

**DESIGNER:** Zaha Hadid

**YEAR OF DESIGN:** 2017

**Glass:** Hand blown glass

Its design concept is realized in a three dimensional, asymmetrical, pair of intersecting glass forms. The striated surface of the crystal glass produces ever-changing effects of reflection and refraction. Narrowly directed light sources beam light through the mass of glass into the entire glass element, highlighting its geometry.



---

### PACKAGING

#### **Duna**

Size: 775 × 350 × 280 cm

Pallet: 12 pcs

Total weight: 18 kg

#### **Duna wall sconce**

Size: 280 × 200 × 780 cm

Pallet: 20 pcs

Total weight: 13 kg

---

# LASVIT Technical Sheet

## DUNA COLLECTION

### TECHNICAL DETAILS DUNA PENDANT

Type	CE	UL
Light source	2 × LED module, 10W, 3000K Lm 1575 CRI 80 dimmable	
Input voltage	220 – 240 VAC/50 – 60Hz	120VAC/60Hz
Cord lenght	2000mm/78¾", longer cord is available, contact your sales person	
Cord color	transparent cabel, 2 stainless steel wire	
Rated power	20W	
Ballast	trailing edge	
Primary material	transparent anodized aluminium alloy	
Prot. rating	IP 20	
Safety class	CLASS I	

# LASVIT Technical Sheet

---

## DUNA COLLECTION

---

### TECHNICAL DETAILS DUNA WALLSCONCE

---

Type	CE	UL
Light source	LED module, 10W, 3000K 1575 Lumens CRI 80	
Input voltage	220 – 240VAC/50 – 60Hz	120VAC/60Hz
Rated power	10W	
Ballast	trailing edge no dimmable	
Primary material	transparent anodized aluminium alloy	
Prot. rating	IP 20	
Safety class	CLASS I	

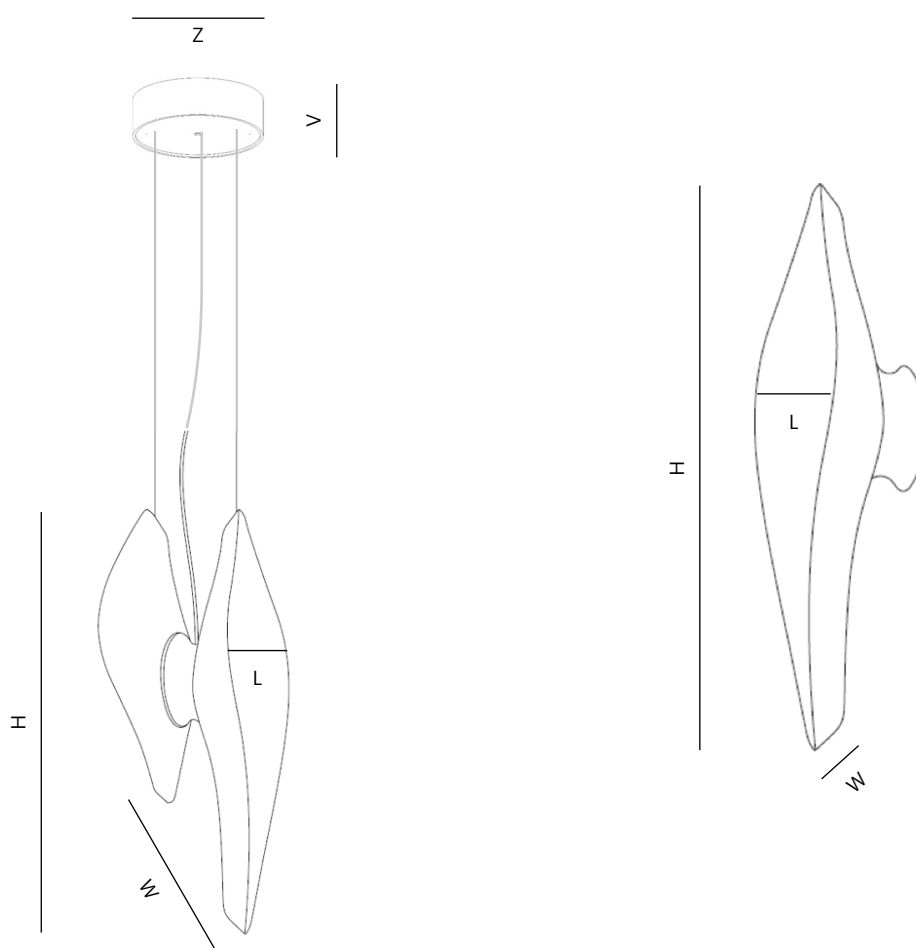
# LASVIT Technical Sheet

## DUNA COLLECTION

### TECHNICAL DRAWING

**Duna pendant**

**Duna wall sconce**



Name	W / L (mm/inch)	H / OH (mm/inch)	Z (mm/inch)	V (mm/inch)
<b>Duna pendant</b>	W 260/10¼" × L 205/8⅛"	H 625/24⅝" + L	204/8"	50/2"
<b>Duna wall sconce</b>	W 155/6⅞" × L 205/8⅛"	H 600/23⅝"	-	-

# LASVIT Technical Sheet

<b>Name</b>	<b>Glass color</b>	<b>Item ID – CE</b>	<b>Item ID – UL</b>	<b>Weight (approx.)</b>
<b>Duna pendant</b>	clear	CL038PA-4CE00-0129S1	CL038PA-4UL00-0129S1	15kg/33lbs
<b>Duna wall sconce</b>	clear	CL038WA-4CE00-0129S1	CL038WA-4UL00-0129S1	5kg/11lbs

**EACH LASVIT COLLECTION IS UNIQUE BECAUSE IT IS COMPLETELY HANDCRAFTED. TINY BUBBLES AND OTHER IRREGULARITIES MAY OCCUR DUE TO THE NATURE OF THE HIGH QUALITY GLASS-BLOWING TECHNIQUE**