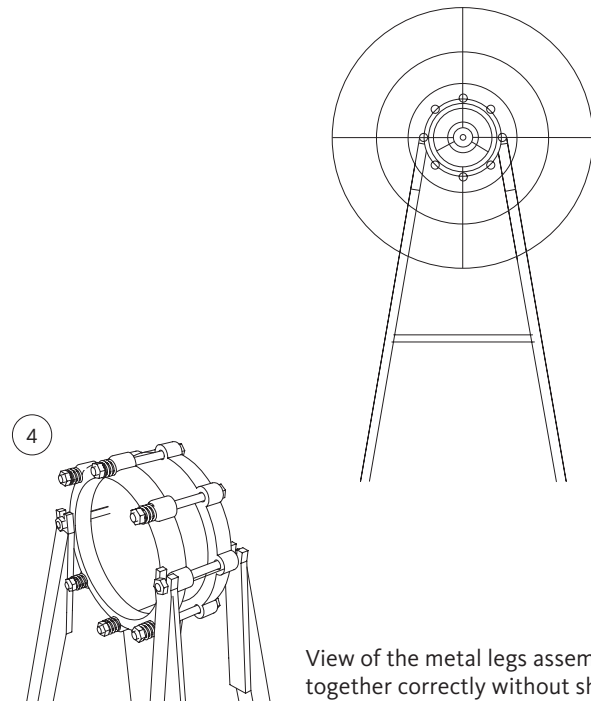


Step 3 / The Legs



View of the metal legs assembled together correctly without shade.

- ⚠ Be careful not to over tighten the screws as damage may result.
- ⚠ Take care when working with electrical components.

You are now ready to attach the legs to the shade and complete the lamp. Carefully lift the assembled shade with installed light elements into place on top of the metal legs.

Thread the two remaining screws (1 and 5) through their allotted holes (see Step 1, Main Diagram) and the top of the metalegs. Tighten, allowing the cables to hang down the centre of the leg structure.

Unscrew the electrical circuit box. Match the cables (by colour) to their fixings within the circuit box and connect. Once re-sealed the lamp is ready for use.

If you are unsure speak to a qualified professional.

The fixture was designed and manufactured by /
Lasvit s.r.o. / Komunardů 32 / 170 00 Praha 7 / Czech Republic
T +420 481 120 810 / F +420 481 120 622 / E lasvit@lasvit.com
lasvit.com

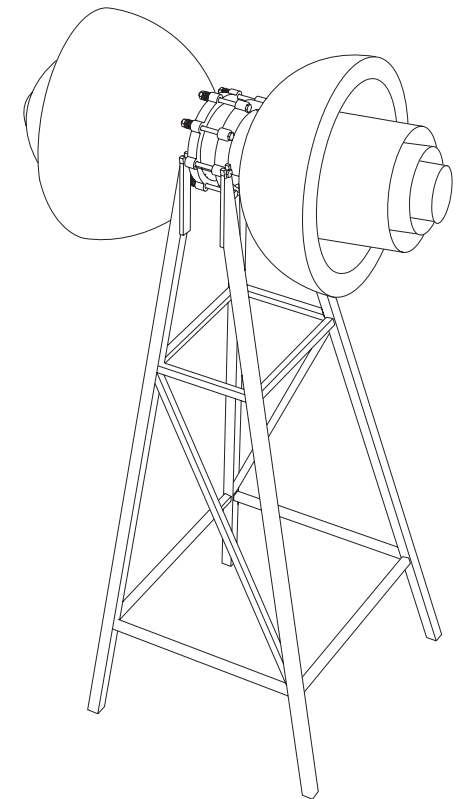
Never dispose of this product in mixed municipal waste, it must be submitted at the designated disposal installation.



In case you need any assistance or have any suggestion, please contact us at lasvit.com

LASVIT TRANS MISION FLOOR^{UL}

by deForm



Light Design Experience

© LASVIT s.r.o. / Komunardů 894/32
170 00 Prague 7 / Czech Republic

Technical parameters

Item ID / 14X047-00-UL
Dimensions / 78 3/4 in × 47 1/4 in × 27 5/8 in
Weight / approx. 205 lb
Input voltage / 120 V, 60 Hz
Rated power / 2× LED G13, 14 W, 120 V AC, 3000 K
Protection rating / IP 20
Safety class / CLASS II

The producer Lasvit s.r.o. declares under its sole responsibility that portable luminaire **14X047-00-UL** conforms to the following standards and published the Declaration of Conformity:

USA Standards	Canada Standards
UL 1598	CAN/CSA C22.2 No.250

Please read this manual carefully and keep it in case you need assistance while performing maintenance and cleaning procedures.

Step-by-step installation

⚠ **Before starting any procedures make sure that the power to the lighting fixture is switched OFF and secured against unauthorized, negligent or accidental switching on.**

Installation and electrical wiring should be carried out by qualified technician to prevent any damage to health or property.

The manufacturer shall not be held liable for any defects caused by unqualified handling of the lighting fixture.

Proper fixing shall be the responsibility of the customer.

The screw terminal and J-box are not part of the lighting fixture kit. This lighting fixture is to be mounted on fire proof surfaces.

Do not cover the lighting fixture with any material, it is necessary for the hot parts to be cooled by freely flowing air, otherwise there is a risk of fire.

Installation requires 3 persons.

General Information

The glass components are extremely fragile and should be handled with extreme care. Never lift the glass components from their centre, only ever attempt to lift and move when supported from their largest edge.

Checklist

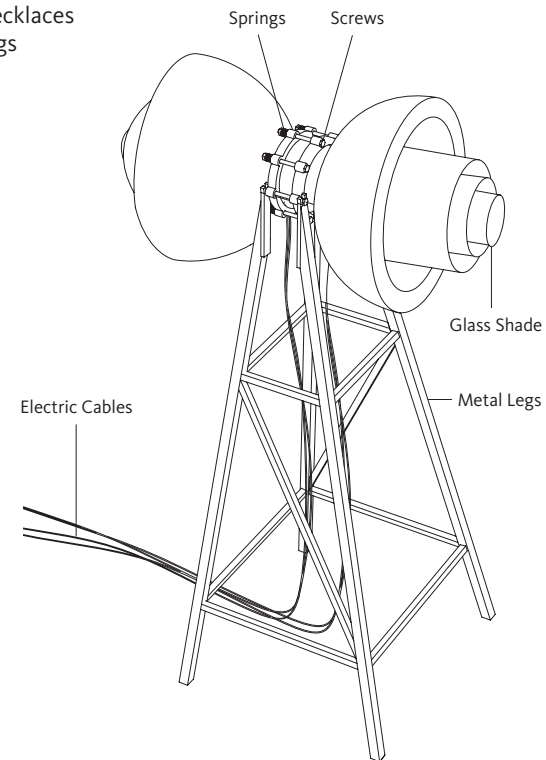
Before attempting to assemble Transmission please ensure that you have all of the necessary components and tools.

Primary Components

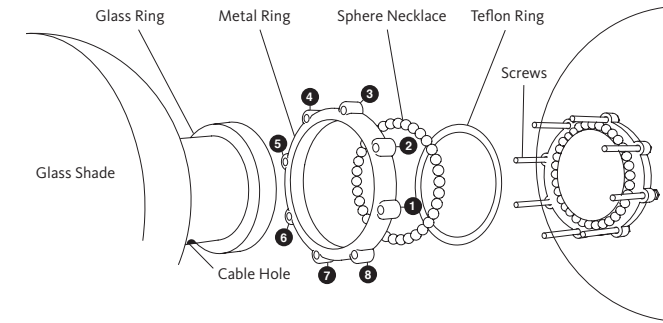
- Metal Legs
- Glass Shades

Secondary Components

- Screws
- Springs
- Teflon Ring
- Light Element
- Electric Cables
- Circuit Box
- Sphere Necklaces
- Metal Rings



Step 1/ Shade

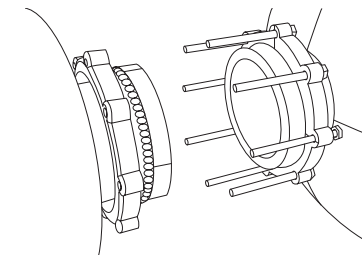


- ⚠ **Take care when lifting the glass components.**
- ⚠ **Be careful not to over tighten the screws as damage may result.**

Rest the shade pairs on a soft surface, cable holes facing down. Carefully thread two light element cables through each cable hole (see Step 2, Diagram 1).

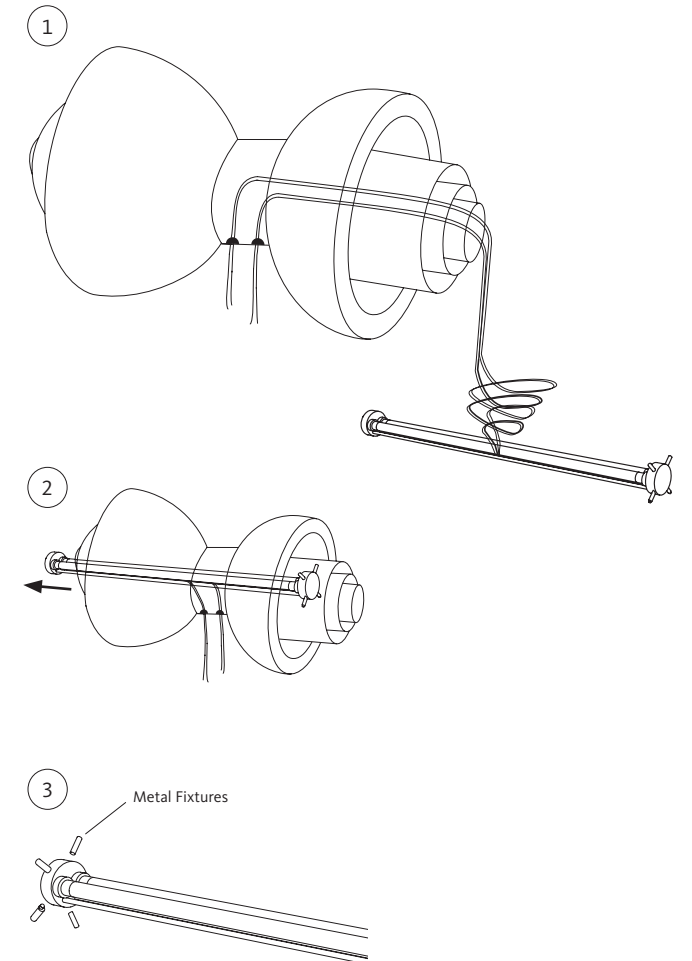
Place the first metal ring (with screws) on the neck of one shade pair. Follow this with a sphere necklace; connect necklace together using the supplied wire. Repeat with the second shade pair and the other metal ring (without screws). Connect the halves with the teflon ring in the centre

Thread screws 2, 3, 4, 6, 7 and 8 equipped with springs and gently connect the pairs together. Screws 1 and 5 do not require springs and are for use in Step 3, Diagram 4.



The two shade pairs shown coming together correctly.

Step 2/ The Element



- ⚠ **Take care when working with electrical components.**

Fit the light fixing with the neon tube; you are now ready to install the light element. Taking the assembled shade from Step 1, carefully slide the element inside of the shade, the end without metal fixtures first. Pull this end all the way through the shade until it slightly protrudes (see Diagram 2). Screw the metal fixtures in to this end (see Diagram 3) and position the element back in the centre of the shade.