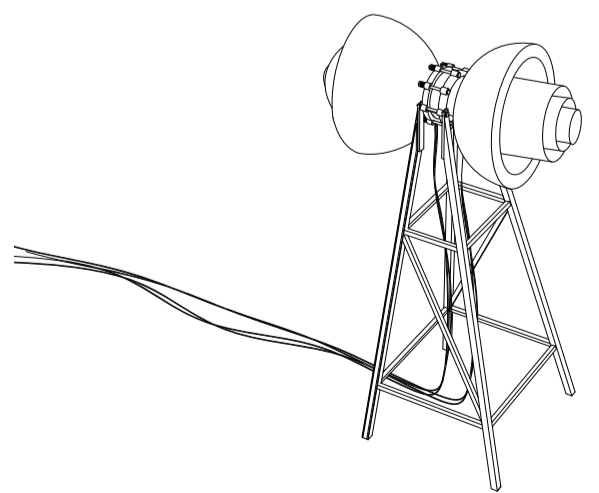


LASVIT



TRANSMISSION

Instruction Manual

design **studio deForm**

TRANSMISSION

Instruction Manual

design studio deForm

General Information

Assembling Transmission requires a minimum of three people.

The glass components are extremely fragile and should be handled with extreme care. Never lift the glass components from their centre, only ever attempt to lift and move when supported from their largest edge.

Checklist

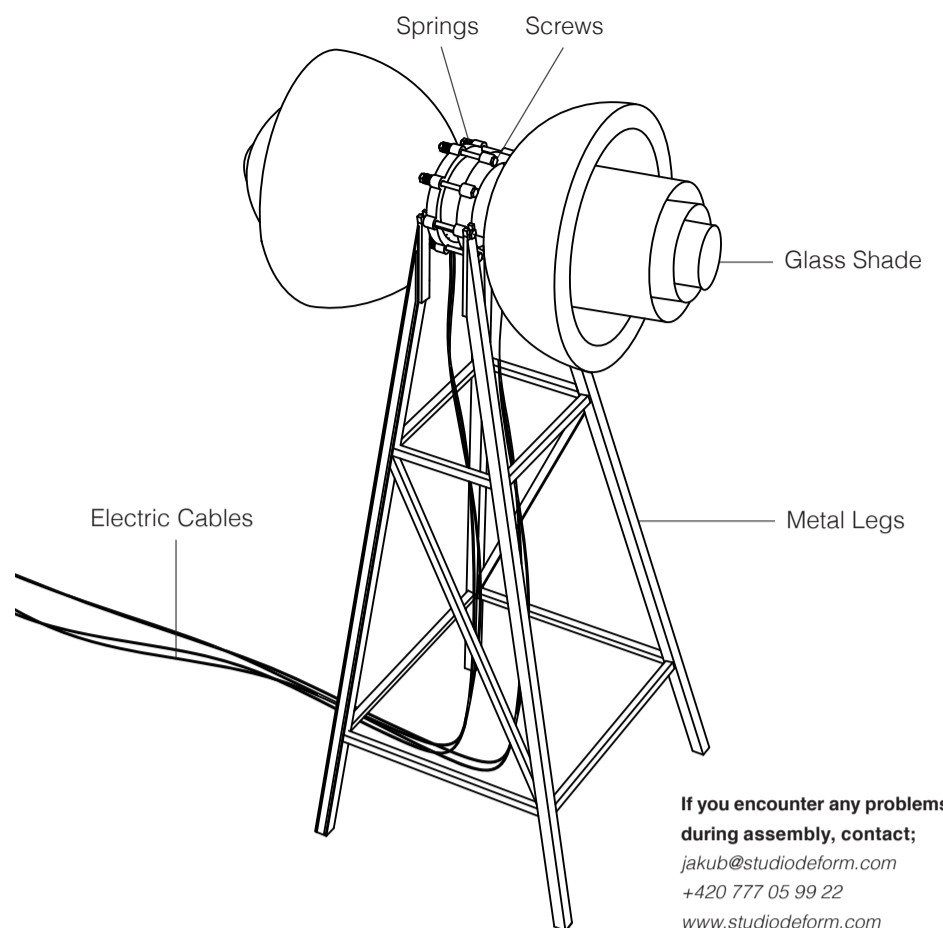
Before attempting to assemble Transmission please ensure that you have all of the necessary components and tools;

Primary Components

- Metal Legs
- Glass Shades

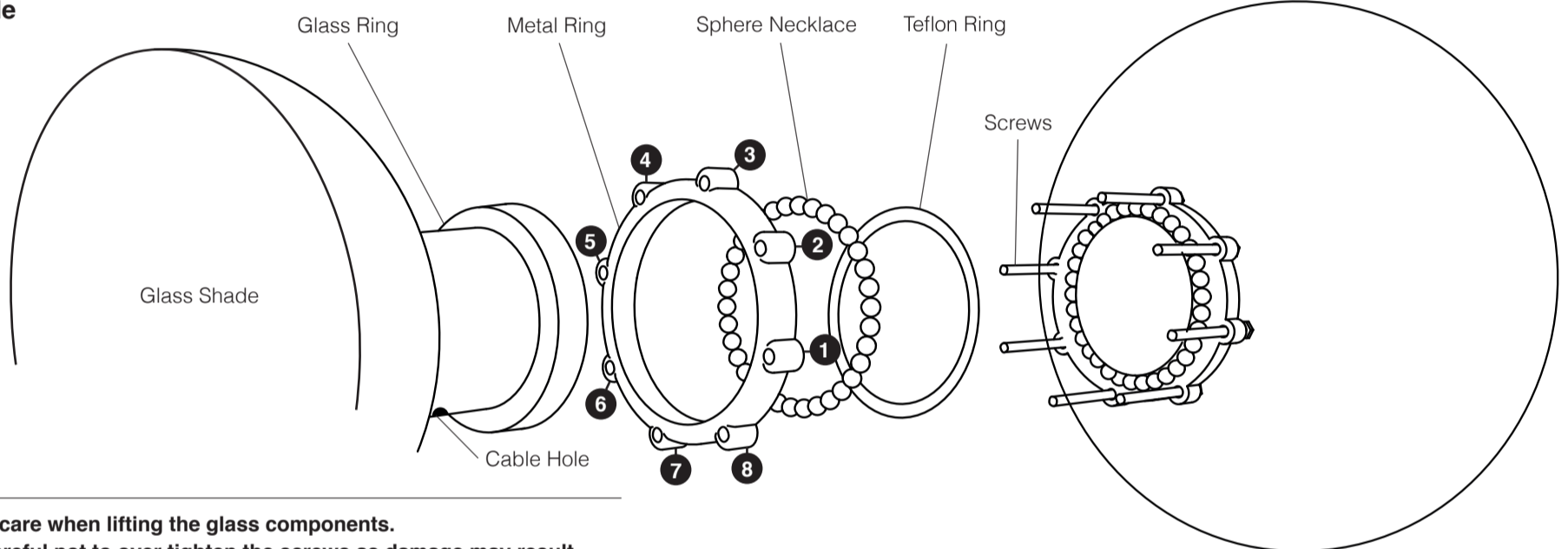
Secondary Components

- Screws
- Springs
- Teflon Ring
- Light Element
- Electric Cables
- Circuit Box
- Sphere Necklaces
- Metal Rings



If you encounter any problems during assembly, contact;
jakub@studiodeform.com
 +420 777 05 99 22
www.studiodeform.com

1 The Shade



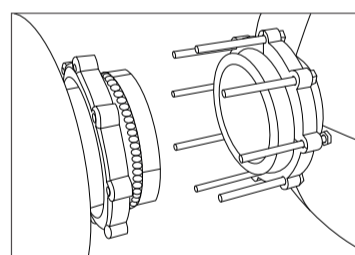
Caution : Take care when lifting the glass components.

Caution : Be careful not to over tighten the screws as damage may result.

Rest the shade pairs on a soft surface, cable holes facing down. Carefully thread two light element cables through each cable hole (see Step 2, Diagram 1).

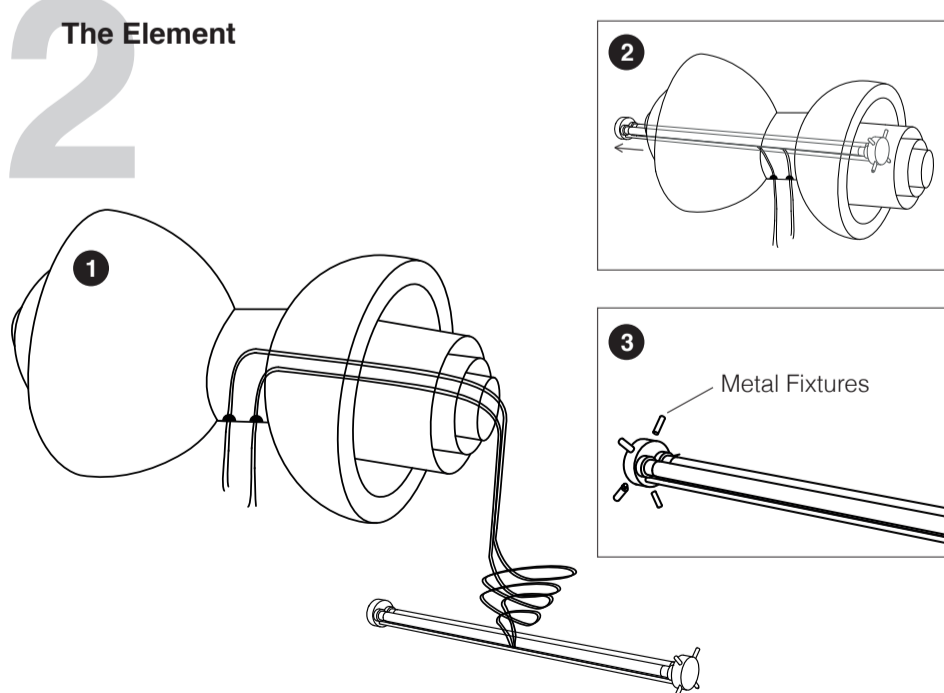
Place the first metal ring (with screws) on the neck of one shade pair. Follow this with a sphere necklace; connect necklace together using the supplied wire. Repeat with the second shade pair and the other metal ring (without screws). Connect the halves with the teflon ring in the centre.

Thread screws 2, 3, 4, 6, 7 and 8 equipped with springs and gently connect the pairs together. Screws 1 and 5 do not require springs and are for use in Step 3, Diagram 4.



The two shade pairs shown coming together correctly.

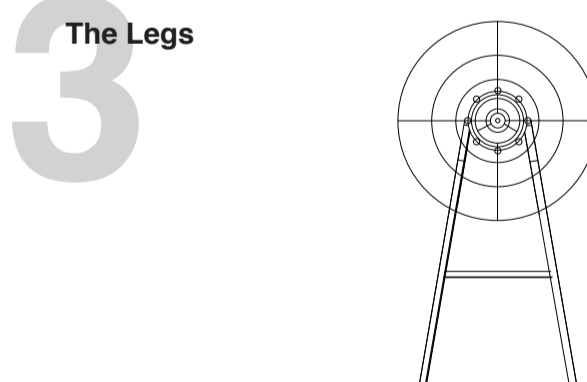
2 The Element



Caution : Take care when working with electrical components.

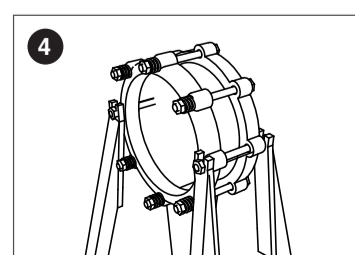
Fit the light fixing with the neon tube; you are now ready to install the light element. Taking the assembled shade from Step 1, carefully slide the element inside of the shade, the end without metal fixtures first. Pull this end all the way through the shade until it slightly protrudes (see Diagram 2). Screw the metal fixtures in to this end (see Diagram 3) and position the element back in the centre of the shade.

3 The Legs



Caution : Be careful not to over tighten the screws as damage may result.
Caution : Take care when working with electrical components.

View of the metal legs assembled together correctly without shade.



You are now ready to attach the legs to the shade and complete the lamp. Carefully lift the assembled shade with installed light elements into place on top of the metal legs.

Thread the two remaining screws (1 and 5) through their allotted holes (see Step 1, Main Diagram) and the top of the metal legs. Tighten, allowing the cables to hang down the centre of the leg structure.

Unscrew the electrical circuit box. Match the cables (by colour) to their fixtures within the circuit box and connect. Once re-sealed the lamp is ready for use.

If you are unsure speak to a qualified professional.