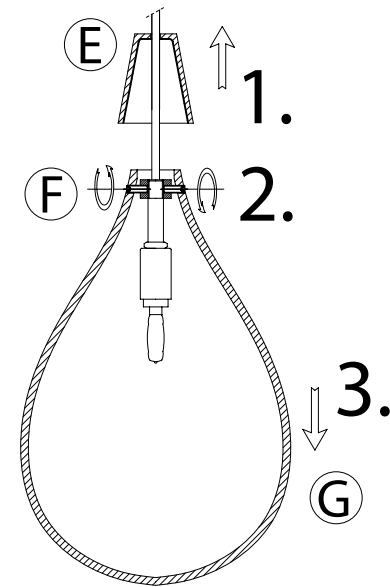


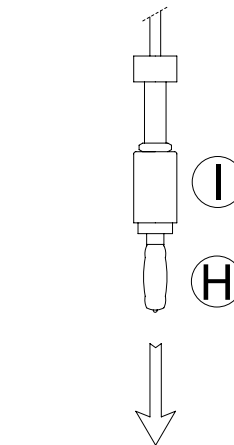
LASVIT POP UP MANUAL^{CE}

by Maarten Baas

In case you need any assistance or have any suggestion, please contact us at www.lasvit.com



/ Step 1 To replace the light source, pull up the cover (E), hold the glass component (G) and unscrew the adjustment screws (F). Remove the glass component (G) and lay it aside.



/ Step 2 Hold the socket cover (I) and pull out the light source (H) as shown in the picture. Use G9 bulb of the following specifications: max. 25W, 230V AC. The manufacturer shall not be held responsible for improper function when other light source is used. Carry out this step reversely to fit the new bulb and to reassemble the light. Plug in the light again.

Light source replacement /

All light sources can be supplied by the manufacturer Lasvit s.r.o. Replacement of the bulb should be carried out by qualified technician to prevent any damage to health or property.

Before starting installation make sure the power to the lighting fixture is switched OFF and secured against unauthorized, negligent or accidental switching on.

The bulb can be very hot so wait at least 10 minutes until it has cooled down and there is no risk of injury.

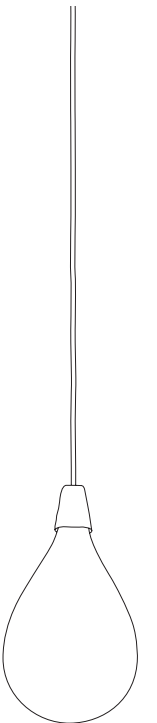
The fixture was designed and manufactured by /
Lasvit s.r.o. / Komunardů 32 / 170 00 Praha 7 / Czech Republic
T +420 481 120 810 / F +420 481 120 622 / E lasvit@lasvit.com
www.lasvit.com

Never dispose of this product in mixed municipal waste, it must be submitted at the designated disposal installation.



© LASVIT s.r.o. / Komunardů 894/32
170 00 Prague 7 / Czech Republic

Light Design Experience



1/ Technical parameters

Item ID / 15X012-00-CE
 Dimensions / dia 175 × H 310 mm
 Weight / approx. 4 kg
 Input voltage / 230V, 50Hz
 Rated power / 1 × G9 (max 25W)
 Protection rating / IP 20
 Safety class / CLASS I

The producer Lasvit s.r.o. declares under its sole responsibility that fixed luminaire **15X012-00-CE** conforms to the following standards:

Czech Standards	European/International Standards
ČSN EN 60598-1:2009 ed.5	IEC/EN 60598-1:2008
ČSN EN 60598-2-1:1997	EN 60598-2-1:1997
ČSN EN 62031 (36 0701)	IEC 62031, IEC 61000-3-2

The compliance was proved by CB test report no. 203756-01/01 and related CB certificate no. CZ 2310

Please read this manual carefully and keep it in case you need assistance while performing maintenance and cleaning procedures.

2/ Step-by-step installation

ATTENTION! Before starting any procedures make sure that the power to the lighting fixture is switched OFF and secured against unauthorized, negligent or accidental switching on.

Installation and electrical wiring should be carried out by a qualified technician to prevent any damage to health or property.

The manufacturer shall not be held liable for any defects caused by unqualified handling of the lighting fixture.

This lighting fixture is to be mounted on fire proof surfaces.

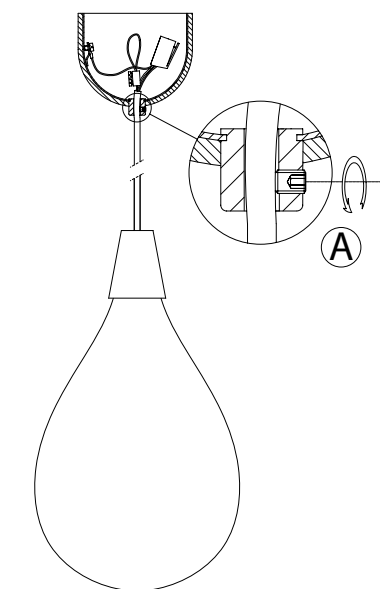
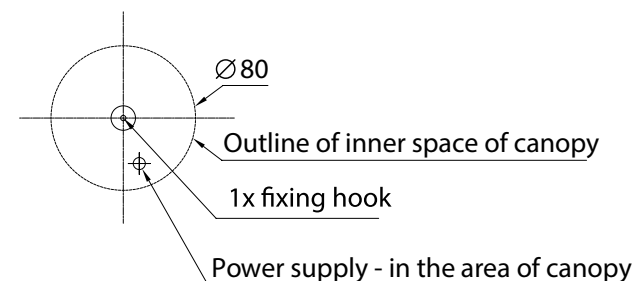
Fixing material is not part of the lighting fixture kit. You can secure the lighting fixture using hook.

Proper fixing shall be the responsibility of the customer.

Do not cover the lighting fixture with any material, it is necessary for the hot parts to be cooled by freely flowing air, otherwise there is a risk of fire.

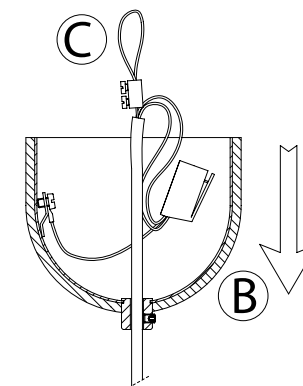
Installation requires 1 persons.

Fixing plan Reflected Ceiling Plan

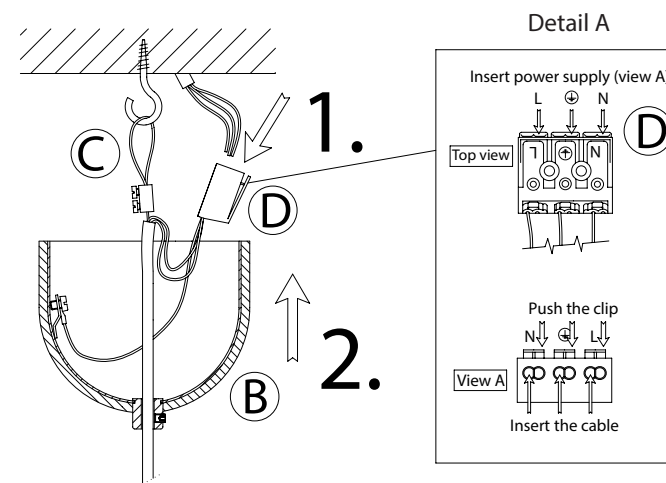


/ Step 1 Set up the fixing point for the lighting fixture mounting according to the fixing plan.

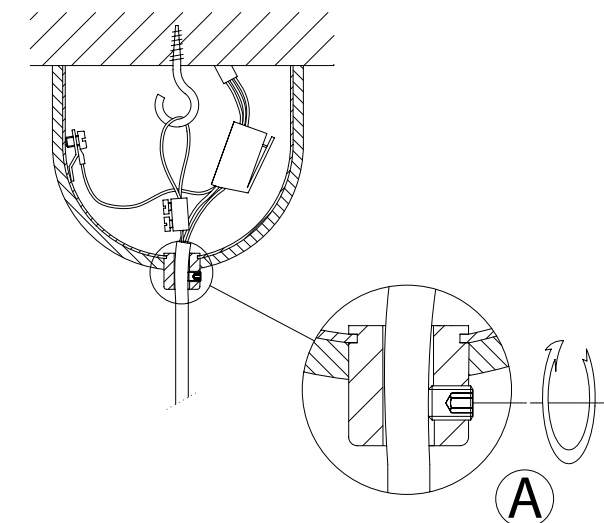
/ Step 2 Untie the adjustment screw on the canopy adjustment ring (A) anticlockwise.



/ Step 3 Pull down the covering (B) to make access to the eyelet (C) easier. Be careful not to damage the grounding cable.



/ Step 4 Electrical wiring should be carried out by qualified technician to prevent any damage to health or property. Hang the lighting fixture with the eyelet (C) on the fixing hook mounted on the ceiling. Connect the supply cables to the screw terminal (D) as shown in Detail A: press the clip above the corresponding aperture and insert the cable. Then secure the cable by releasing the clip. After connecting the light pull the covering (B) up to the ceiling. Be careful not to crush cables between the covering and ceiling. All cables and screw terminals must be loose inside the covering.



/ Step 5 Secure the covering with the adjusting screw of the canopy adjusting ring (A) clockwise. Plug in the light.